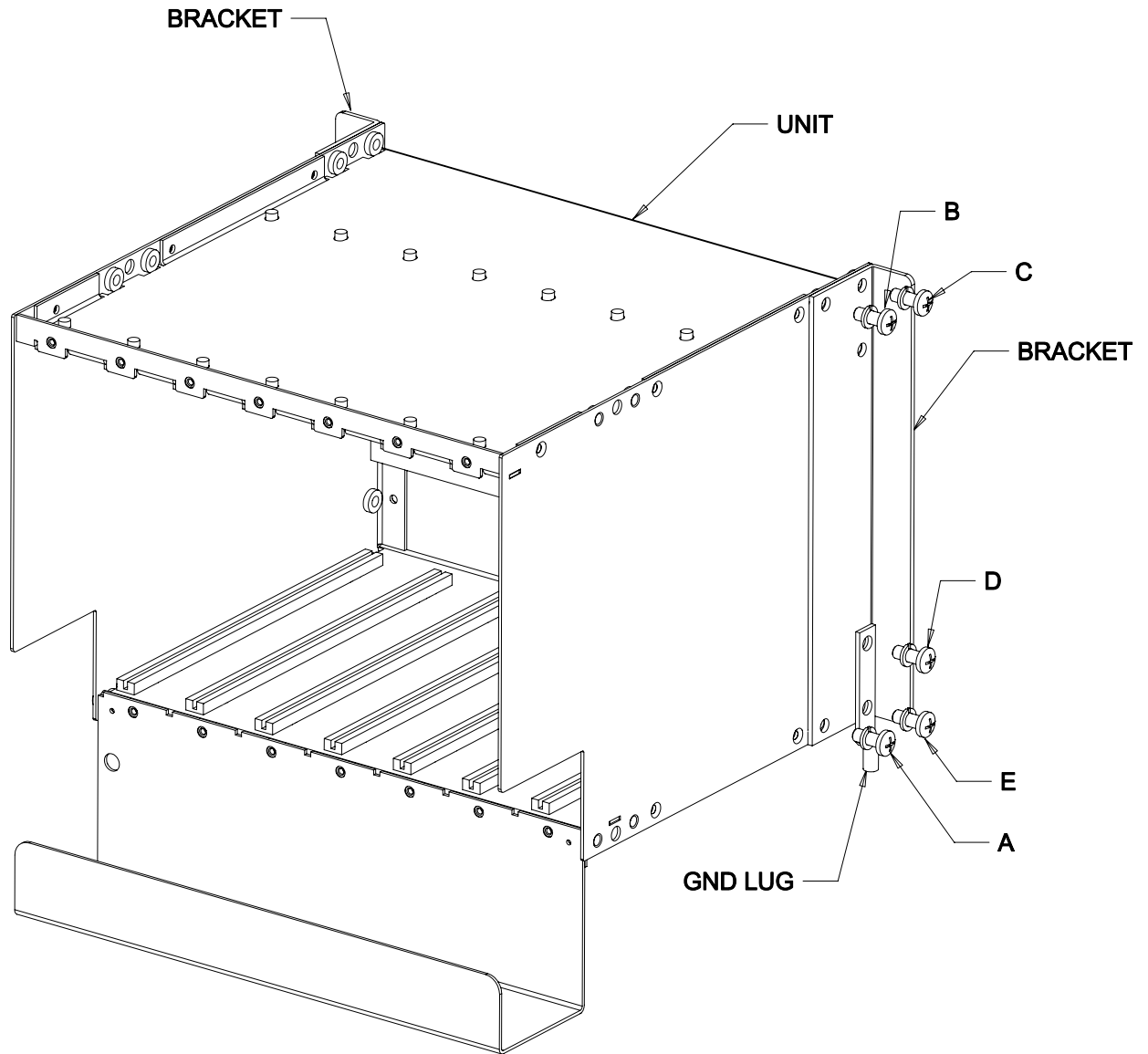


INSTRUCTION SHEET FOR ONE UNIT, WALL MOUNT



MOUNTING INSTRUCTIONS :

- 1- INSTALL BRACKETS ON THE UNIT.
USE SCREW & LOCK WASHER #10 (A, B AND C FOR LOCATION)
BOTH SIDES ALSO LOCATION E ON SIDE WITHOUT GROUND LUG.
- 2- CRIMP GROUND CABLE ON THE GROUND LUG
(LUG TO COME FROM SHELF KIT)
SUGGESTED TOOL: CT-1701 BY:PANDUIT.
- 3- INSTALL GROUND LUG ON THE UNIT USE SCREW &
LOCK WASHER #10 (D & E FOR LOCATION),
LEFT SIDE OR RIGHT SIDE.
- 4- INSTALL UNIT ON THE WALL.

KIT INCLUDES:

- MOUNTING BRACKET (QTY: 2)
- SCREW 10-32, 3/8"L (QTY: 10)
- LOCK WASHER #10 (QTY: 10)
- SCREW 8-32, 3/8"L (QTY: 4)
- NUT #8-32 (QTY: 4)
- LOCK WASHER #8 (QTY:4)

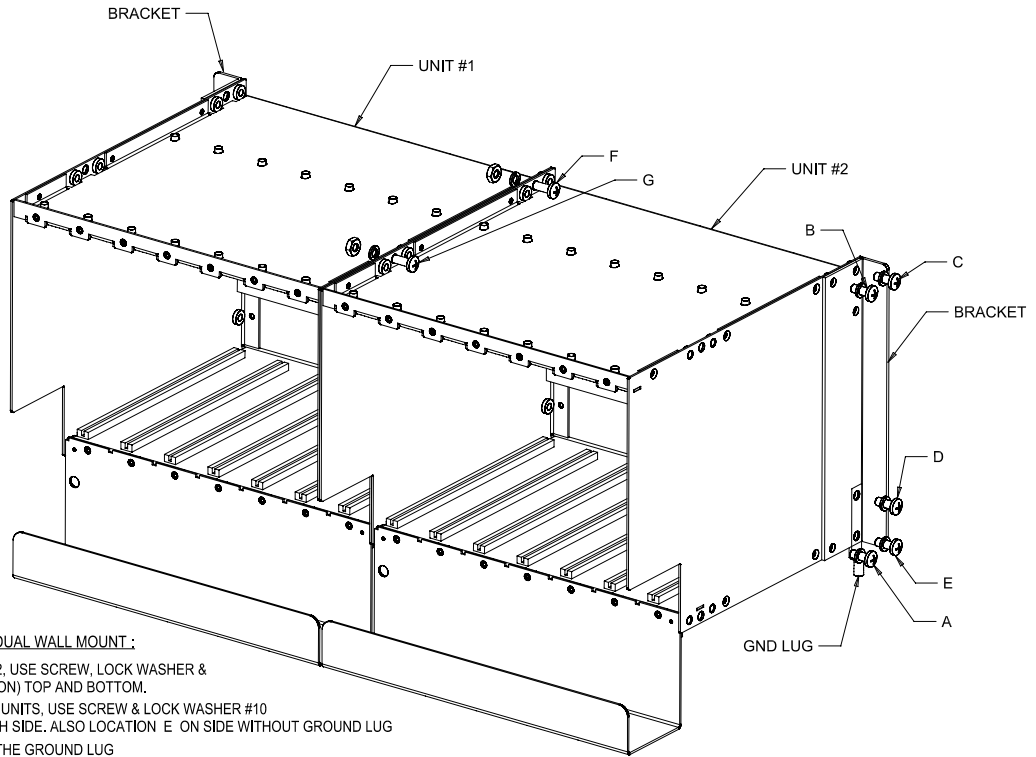
925W000131-001

REV. 01

SHEET 1 OF 2

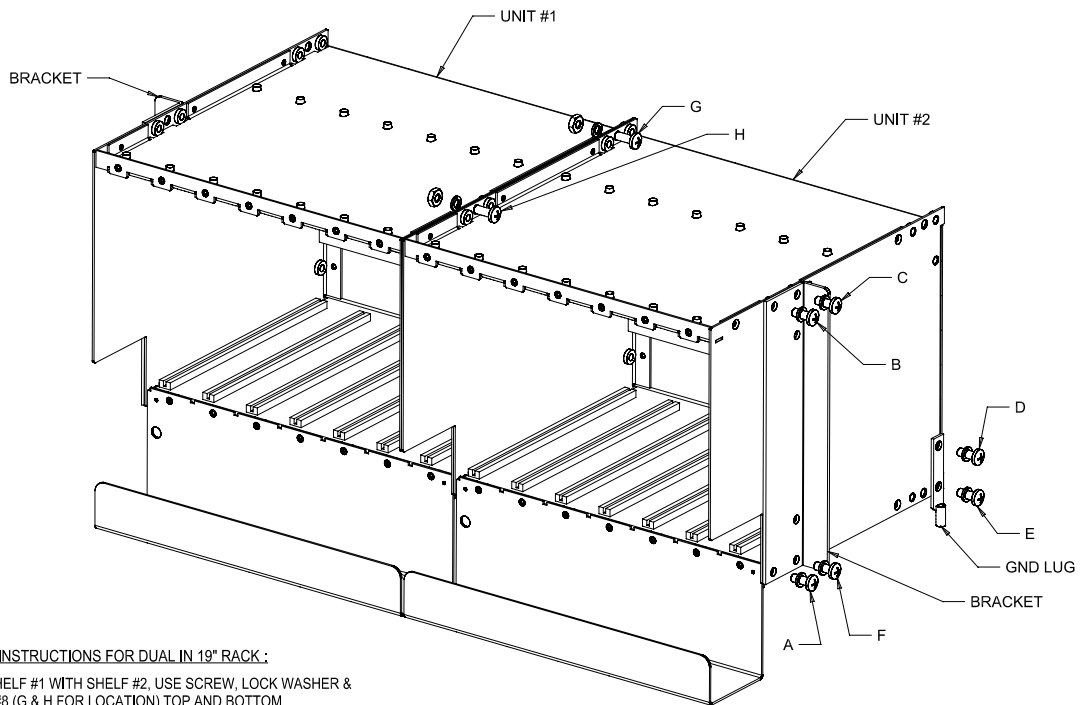
INSTRUCTION SHEET

FOR TWO UNITS, WALL MOUNT & 19" RACK MOUNT



MOUNTING INSTRUCTIONS FOR DUAL WALL MOUNT :

- 1- FIX SHELF #1 WITH SHELF #2, USE SCREW, LOCK WASHER & NUT #8 (F & G FOR LOCATION) TOP AND BOTTOM.
- 2- INSTALL BRACKETS ON THE UNITS, USE SCREW & LOCK WASHER #10 (A, B, C FOR LOCATION) BOTH SIDE. ALSO LOCATION E ON SIDE WITHOUT GROUND LUG
- 3- CRIMP GROUND CABLE ON THE GROUND LUG (LUG TO COME FROM SHELF KIT) SUGGESTED TOOL: CT-1701 BY:PANDUIT.
- 4- INSTALL GROUND LUG ON THE UNIT USE SCREW & LOCK WASHER #10 (D & E FOR LOCATION), LEFT SIDE OR RIGHT SIDE.
- 5- INSTALL UNITS ON THE WALL.



MOUNTING INSTRUCTIONS FOR DUAL IN 19" RACK :

- 1- FIX SHELF #1 WITH SHELF #2, USE SCREW, LOCK WASHER & NUT #8 (G & H FOR LOCATION) TOP AND BOTTOM.
- 2- INSTALL BRACKETS ON THE UNITS, USE SCREW & LOCK WASHER #10 (A, B, C, & F FOR LOCATION) BOTH SIDE.
- 3- CRIMP GROUND CABLE ON THE GROUND LUG (LUG TO COME FROM SHELF KIT) SUGGESTED TOOL: CT-1701 BY:PANDUIT.
- 4- INSTALL GROUND LUG ON THE UNIT USE SCREW & LOCK WASHER #10 (D & E FOR LOCATION), LEFT SIDE OR RIGHT SIDE.
- 5- INSTALL UNITS ON THE RACK

925W000131-001

REV. 01
SHEET 2 OF 2