



AK100B Installation Instructions

Hinge Bracket for AK100S chassis

Mounting considerations

- Customers should plan the location within the room, desired hinging direction and orientation of the unit before proceeding. It is recommended to orient the chassis such that the fan is at the bottom and blowing vertically upward to improve heat dissipation during operation.
- There is a spring-loaded plunger on one of the pivot arms to hold the unit in position against the wall. The plunger can easily be raised and the unit rotated when necessary. When wiring to the rear of the chassis, provide enough service loop in the wires to allow the chassis to rotate.

Refer to Figure 1:

1. Position the wall mount hinge bracket assembly onto the desired mounting surface. Note that the bracket can be hinged from either the right or the left by rotating the hinge bracket 180 degrees.
2. Using the holes in the bracket as a template, install the four provided #12 wood screws or customer supplied alternate screws into the four slotted mounting holes. Do not tighten the screws against the bracket.
3. Lift the bracket to clear the screw heads and remove the bracket, leaving the screws installed in the wall.

Refer to Figure 2:

1. Place the hinge bracket assembly on top of the AK100S chassis, with the rear of the chassis toward the hinge pivot. Note that the hinge bracket can be installed onto either the top (shown) or bottom of the chassis.
2. Align the holes in the hinge pivot arms with the threaded holes in the center of the sides of the chassis, and install the four #8-32 flat head screws (provided with the chassis) through the countersunk holes.

Position the wall mount hinge bracket assembly back onto the previously installed screws in the wall and tighten the screws against the bracket to secure it to the wall.

Figure 1

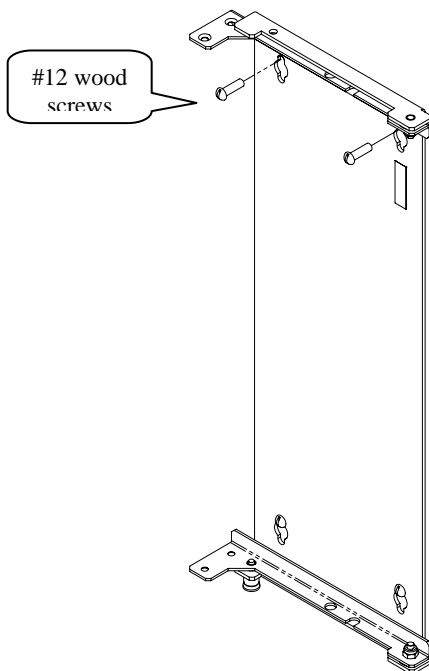


Figure 2

